

# TC-UR24 USB-Serial Adapter Hardware Manual

- [1. Hardware Introduction](#)
- [2. DIP Switch Introduction](#)
- [3. Connecting System](#)
- [4. Pin Assignments](#)

## Hardware Introduction:

The TC-UR-series adapter is a tool to help users link via PC USB port. Either the USB-to-PLC (RS232/422/485) or USB-to-Serial port system can use the TC-UR- adapter to link with.

The following description is the TC-UR- adapter hardware introduction:

<1> All-in-One Type: TC-UR24



<2> Soli-PLC Type:



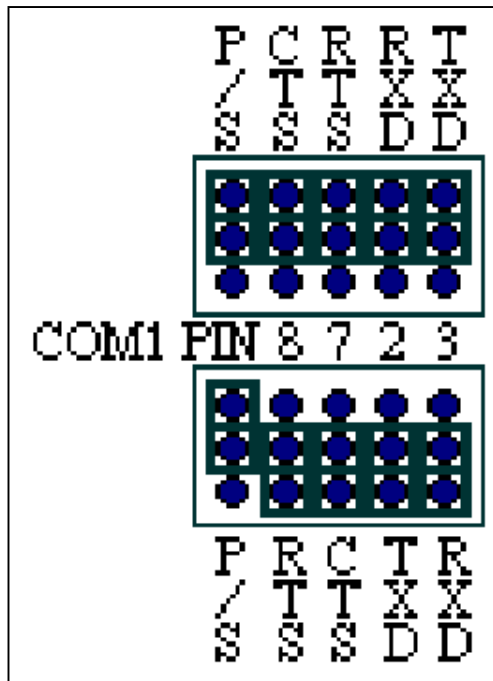
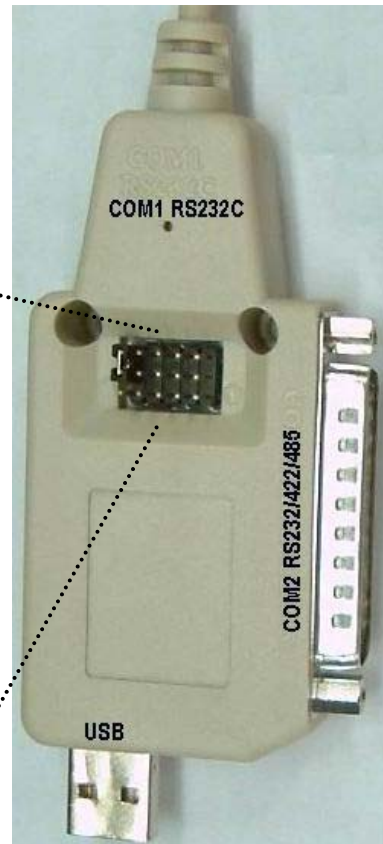
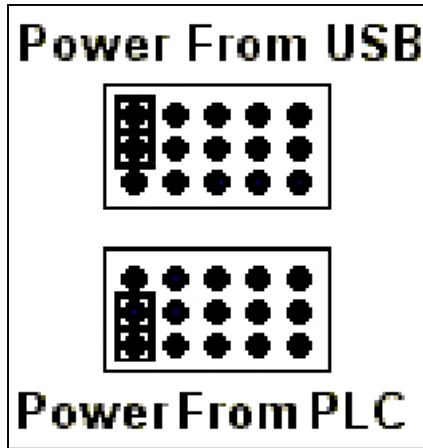
For Mitsubishi PLC usage



For Siemens S7-200 PLC usage

## DIP Switches Introduction:

The following table is the DIP switches definition of the TC-UR- adapter:

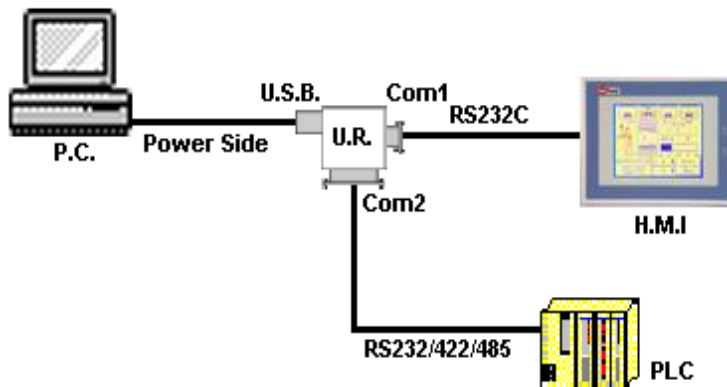


## Connecting System:

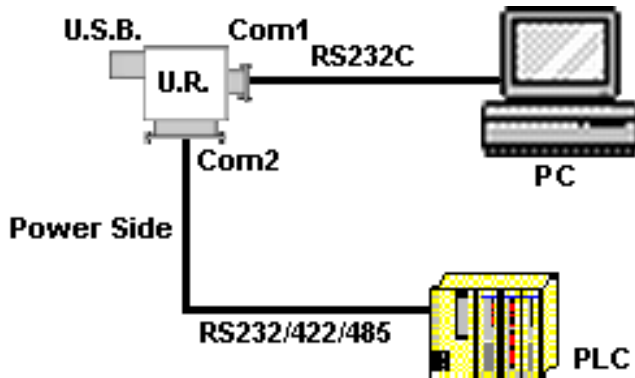
If you want to use the TC-UR- adapter to link with other devices, there are several samples of connecting system showing below for your reference:

### <1> All-in-One Type:

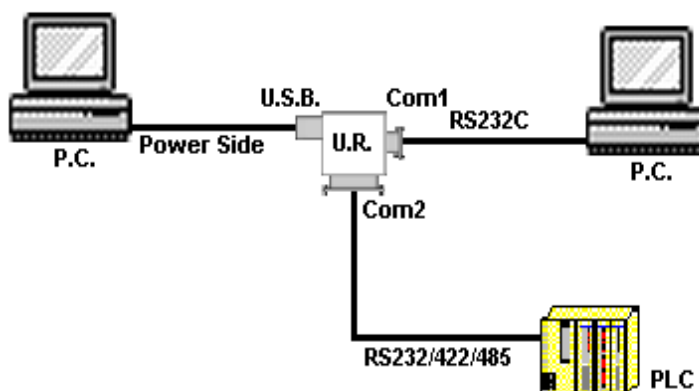
- a. PC(USB) to COM2 (RS232/422/485): As a PLC programming cable.
- b. PC(USB) to standard serial port COM1(RS232C):
  - (1) Reserve as an USB-to-Serial Adapter.
  - (2) Reserve as an HMI download cable (For GD17 & PWS using)



- c. PC(COM1) to COM2 (RS232/422/485) PLC: As a PLC monitoring cable.



- d. PC(USB) to PLC(COM2) and PC(COM1) as a command catching cable --- For R.D. engineer debug using.



## **Pin Assignments: (For All-in-one Type)**

### **Serial Communication Port1 (COM1 9pin Male)**

COM 1 is a serial port that supports RS-232 operation.

The pin assignments of the port are listed in the following table:

<b>Pin</b>	<b>Function</b>
1	
2	RS-232 RXD/ RS-232 TXD; jumper selectable
3	RS-232 TXD/ RS-232 RXD; jumper selectable
4	
5	Signal Ground
6	
7	RS-232 RTS/ RS-232 CTS; jumper selectable
8	RS-232 CTS/ RS-232 RTS; jumper selectable
9	

### **Serial Communication Port2 (COM2 25pin Male)**

COM2 is a serial port that supports RS232C, RS-422, and RS-485 operation.

The pin assignments of the port are listed in the following table:

<b>Pin</b>	<b>Function</b>	<b>Pin</b>	<b>Function</b>
1	Chassis ground	14	RS-422 TXD+ and RS-485 TXD/RXD+
2	RS-232 TXD	15	RS-422 TXD- and RS-485 TXD/RXD-
3	RS-232 RXD	16	RS-422 RXD+
4	RS-232 RTS	17	RS-422 RXD-
5	RS-232 CTS	18	(no function)
6	Function as DSR	19	(no function)
7	Signal ground	20	Function as DTR
8	Function as CD	21	(no function)
9	(no function)	22	Function as RI
10	(no function)	23	RS-422 RTS+
11	(no function)	24	RS-422 RTS-
12	RS-422 CTS+	25	5V input jumper selectable
13	RS-422 CTS-		

**<2> Soli-PLC Type:**

- a. PC(USB) to single PLC(COM1): As a PLC programming cable for single PLC.
- b. PC(USB) to standard serial port RS232C (COM2): Reserve as an USB-to-Serial Adapter.

