

📖 Features/特點

- Extensive operating voltage
12~250V AC/DC
- Longer sensing distance
Thru bean type : 30m
Mirror reflex type : 8m
- High compact structure
IP-66
- Multi-protection circuit
Burst test over 2KV



🔧 General Specifications/共同規格

Specification	規格	Data
Operating voltage	工作電壓	12~250V AC/DC
Current consumption	消耗電流	2VA max.
Output method	輸出方式	Relay (1c)
Contact rated	接點額定電流	1A/250VAC ; 2A/30VDC (Resistance load)
Life of relay	繼電器壽命	Electronic : 10 ⁶ times ; Mechanic : 10 ⁹ times
Response time	應答時間	10 ms max.
Illumination	耐外亂光	Lamplight < 10000 Lux ; Sunlight < 30000 Lux
Connection method	出線方式	5 φ /6 2m cable ; oil proof
Insulation resistance	絕緣阻抗	100M /500VDC
Dielectric strength	電介強度	2.5KV/1minute min.
Vibration resistance	耐震動	10~55Hz/1.5mm, 2 hours in XYZ direction
Housing material	外殼材質	Intensive ABS
Protection class	保護等級	IP-66
Operating circumstance	使用環境	-20 ~+60 ; 35%~85%RH

✂ Reflex type/擴散反射型

Kind	款式	Standard/標準		Timer	
		PM-D60A	PM-D60A2	PM-D60AT	PM-D60A2T
Type	型號	PM-D60A	PM-D60A2	PM-D60AT	PM-D60A2T
Output status	輸出狀態	NO	NC	NO	NC
Output delay	輸出延遲	Without		Off delay (0~1 sec adjustable)	
Emitter	發射光源	Infrared LED			
Sensing distance	檢測距離	60.0cm			
Hysteresis	復歸應差	20% of sensing distance max.			
Sensible object	最小檢測物	10 min.			
Sensitivity adjuster	感度調整	270° trimmer			

✂ Mirror reflex type/鏡片反射型

Kind	款式	Standard/標準		Timer	
		PM-R800A	PM-R800A2	PM-R800AT	PM-R800A2T
Type	型號	PM-R800A	PM-R800A2	PM-R800AT	PM-R800A2T
Output status	輸出狀態	NO	NC	NO	NC
Output delay	輸出延遲	Without		On delay (0~1 sec adjustable)	
Emitter	發射光源	Infrared LED			
Sensing distance	檢測距離	8.0 m			
Sensible object	最小檢測物	10 min.			
Sensitivity adjuster	感度調整	non			

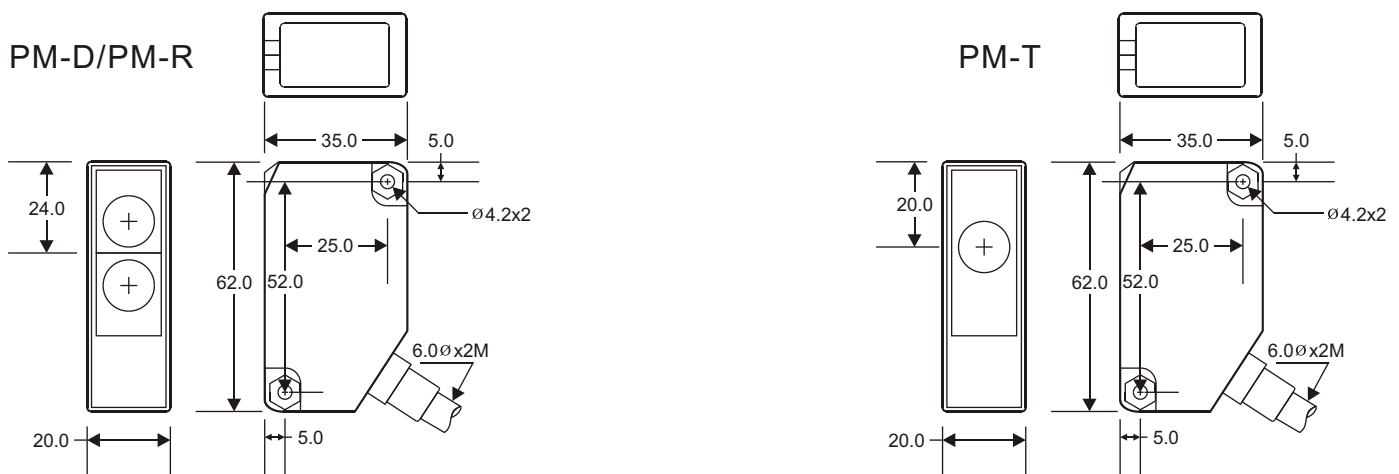
✂ Polarized mirror type/偏光式鏡片反射型

Kind	款式	Standard/標準		Timer	
Type	型號	PM-R600A	PM-R600A2	PM-R600AT	PM-R600A2T
Output status	輸出狀態	NO	NC	NO	NC
Output delay	輸出延遲	Without		On delay (0~1 sec adjustable)	
Emitter	發射光源	Red LED			
Sensing distance	檢測距離	6.0 m			
Sensible object	最小檢測物	10 min.			
Sensitivity adjuster	感度調整	non			

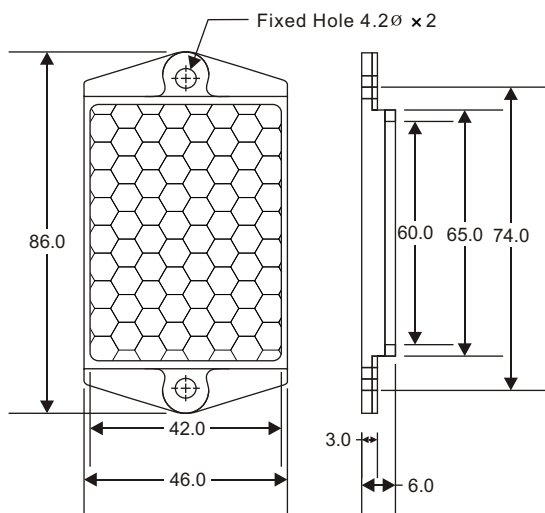
✂ Thru beam type/透過型

Kind	款式	Standard/標準				Timer	
Type	型號	PM-T12MA	PM-T12MA2	PM-T32MA	PM-T32MA2	PM-T32MAT	PM-T32MA2T
Output status	輸出狀態	NO	NC	NO	NC	NO	NC
Output delay	輸出延遲	non		non		On delay (0~1 sec adjustable)	
Sensing distance	檢測距離	12.0 m		32.0 m		32.0 m	
Sensible object	最小檢測物	10 min.		20 min.		20 min.	
Sensitivity adjuster	感度調整	non					

📏 Outline dimension/外型尺寸(Unit : mm)



📄 Mirror/反射鏡片(Unit : mm)



🔌 Connection diagram/接線圖

