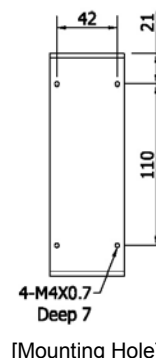
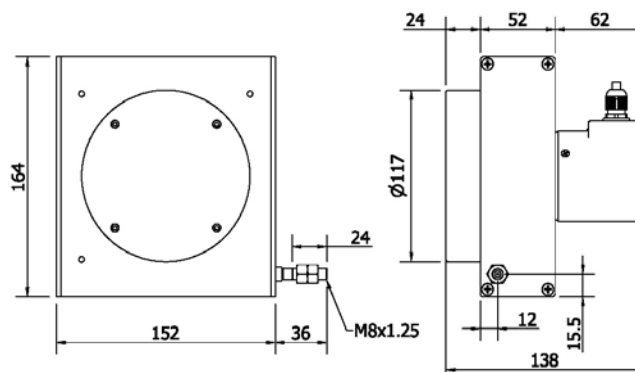


EHP-SL1-MA

LINEAR WIRE POTENTIOMETER

- PRECISION ANALOG CURRENT 4-20mA SIGNAL OUTPUT
- SUITABLE FOR LONG MEASUREMENT RANGE



ELECTRICAL SPEC.

Full Stroke (mm) 量測行程	3000, 4000, 5000, 6000, 8000
Sensor	Wire-wound and hybrid potentiometer
Output Signal Mode 輸出信號模式	4-20 mA (2 wires)
Resolution 解析	Essentially infinite
Linearity 線性度	[standard class] $\pm 0.3\%$ FS; [precision class] $\pm 0.15\%$ FS (± 1 count)
Repeatability 重覆性	$\pm 0.05\%$ FS
Input Power 供應電壓	15-24Vdc $\pm 20\%$
Input Current 供應電流	20 mA max.
Loop Resistance (load)	(loop supply voltage -12) / 0.02 max.
Zero and Span Adjustment	$\pm 5\%$

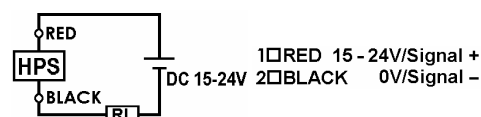
MECHANICAL SPEC.

Wire Specification 線徑規格	Diameter: 1.0 mm SUS304 with nylon coating
Max. Travel Speed 最大往復速度	600 mm / sec.
Vibration 震動	10 Hz to 2000 Hz, 10 g
Cable 電線	$\varnothing 5.4$, 100 cm long
Weight 重量	< 3,500 g
Starting Torque on Spring 拉力	$\leq 2,200$ g

ENVIRONMENTAL SPEC.

Operating Temp. / Humidity 操作溫度/濕度	0°C ~ 70°C
Storage Temp. 儲存溫度	-20°C ~ 80°C
Protection 保護等級	IP64: Dust & Dripping Proof (only for potentiometer housing)

Electrical Connection



ORDERING INFORMATION

EHP-SL1

Measuring Range 量測行程		Signal Mode 信號模式	Life 壽命及線性度
30 : 3000 mm	60 : 6000 mm	*420: 4-20mA	Blank: 1×10^6 cycles, linearity 0.3% FS
40 : 4000 mm	80 : 8000 mm		*F: 5×10^6 cycles, linearity 0.15% FS
50 : 5000 mm			*F25: 5×10^6 cycles, linearity 0.3% FS