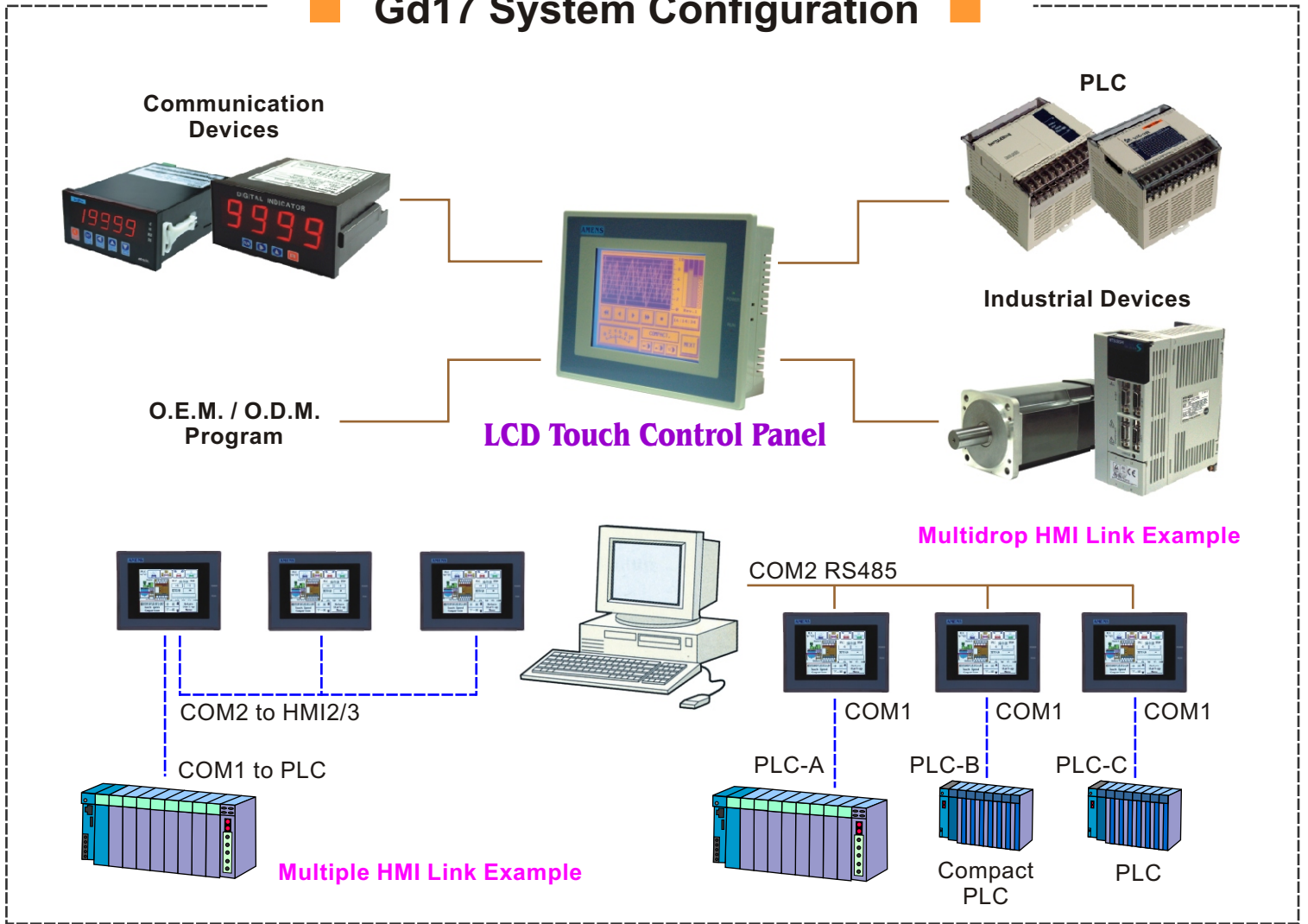


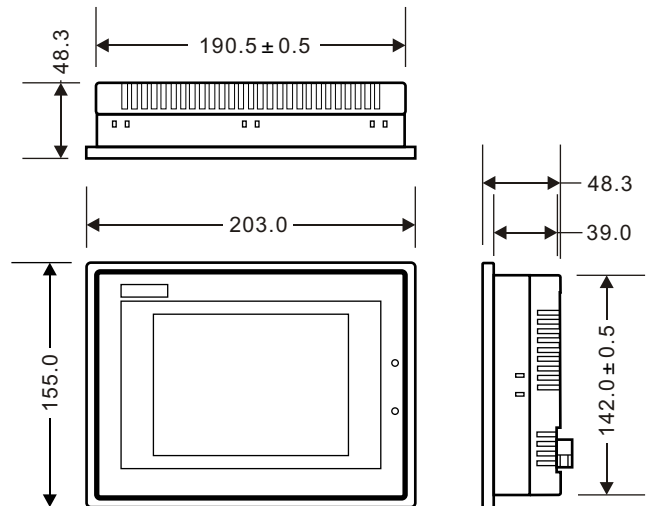
Gd17 System Configuration



GD17-CST Specification :

Item	Specification
CPU	80186 16bits CPU
Display Type	Color mode STN LCD , 16 color levels
Resolution	320 x 240 (5.7" Diagonal)
Memory Size	640 Kbytes
Battery Backed Memory	64 Kbytes
Communication	COM1/COM2 (2 serial ports)
Operation	Touch Panel (Analog resistive type)
Print Port (Optional)	EPP Print Port
Cutout Dimension	191.5mm x 142.0mm (W x H)

Dimensions : (Unit : mm)



GD17-BST Specification :

Item	Specification
CPU	80186 16bits CPU
Display Type	Monochrome blue mode STN LCD , 4 gray levels
Resolution	320 x 240 (5.7" Diagonal)
Memory Size	640 Kbytes
Communication	COM1/COM2 (2 serial ports)
Operation	Touch Panel (Analog resistive type)
Print Port (Optional)	EPP Print Port
Cutout Dimension	191.5mm x 142.0mm (W x H)

